

Golf

Current Flow Diagram

No. 59 / 1

07.2012

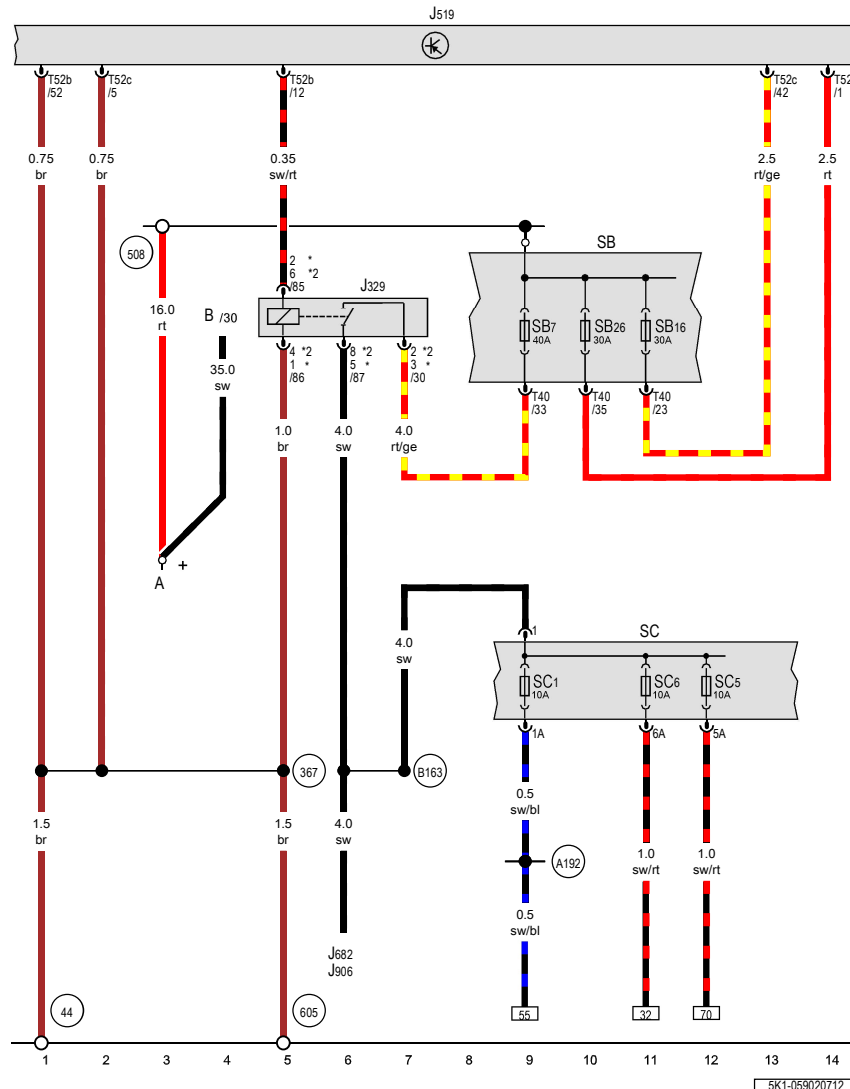
Gas discharge headlights (bi-xenon) with automatic headlight range control and cornering light

From May 2009

Golf

Current Flow Diagram

No. 59 / 2



ws = white
 sw = black
 ro = red
 rt = red
 br = brown
 gn = green
 bl = blue
 gr = grey
 li = purple
 vi = purple
 ge = yellow
 or = orange
 rs = pink

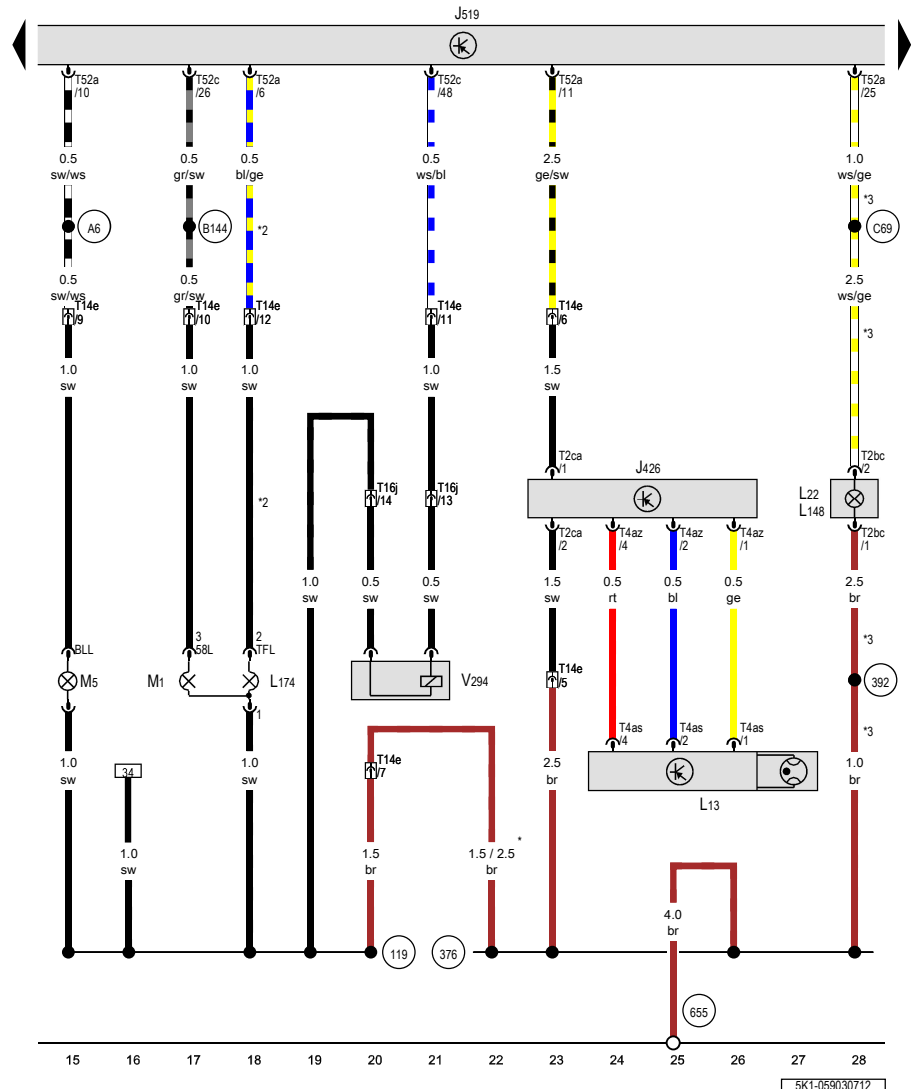
Terminal 15 voltage supply relay, Onboard supply control unit, Fuse holder B, Fuse holder C

- A - Battery
- B - Starter
- J329 - Terminal 15 voltage supply relay 📷
- J519 - Onboard supply control unit 📷
- J682 - Terminal 50 voltage supply relay 📷
- J906 - Starter relay 1 📷
- SB - Fuse holder B 📷
- SC - Fuse holder C 📷
- SC1 - Fuse 1 on fuse holder C 📷
- SC5 - Fuse 5 on fuse holder C 📷
- SC6 - Fuse 6 on fuse holder C 📷
- SB7 - Fuse 7 on fuse holder B 📷
- SB16 - Fuse 16 on fuse holder B 📷
- SB26 - Fuse 26 on fuse holder B 📷
- T40 - 40-pin connector
- T52a - 52-pin connector
- T52b - 52-pin connector
- T52c - 52-pin connector
- 44 - Earth point, lower part of left A-pillar 📷
- 367 - Earth connection 2, in main wiring harness
- 508 - Threaded connection (30) on E-box
- 605 - Earth point, on top end of steering column 📷
- A192 - Positive connection 3 (15a) in dash panel wiring harness
- B163 - Positive connection 1 (15), in interior wiring harness
- * - From November 2009
- *2 - Up to October 2009

Golf

Current Flow Diagram

No. 59 / 3



ws = white
 sw = black
 ro = red
 rt = red
 br = brown
 gn = green
 bl = blue
 gr = grey
 li = purple
 vi = purple
 ge = yellow
 or = orange
 rs = pink

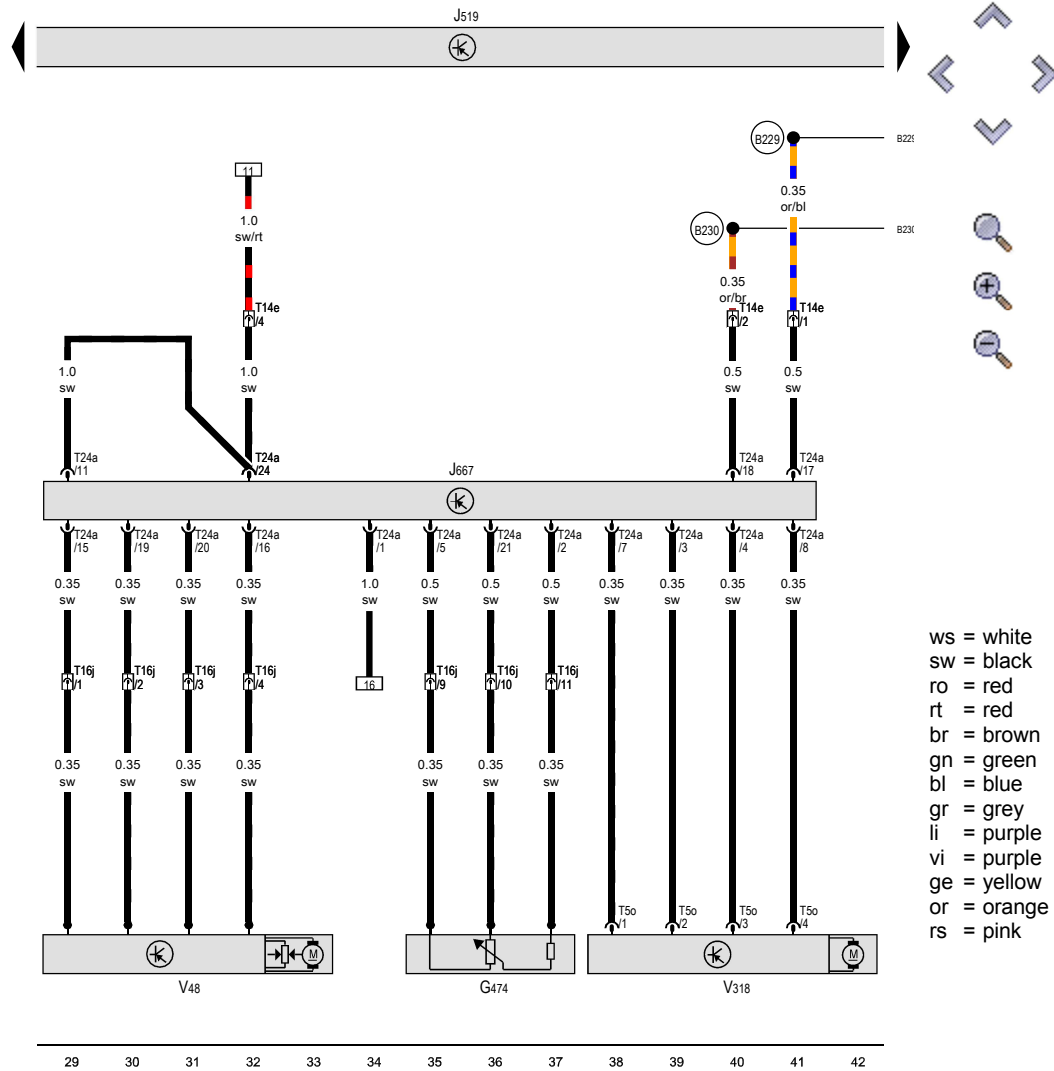
Left headlight starter for gas discharge light, Onboard supply control unit, Left gas discharge (xenon) bulb, Left fog light bulb, Left cornering light bulb, Left daytime running light bulb, Left side light bulb, Front left turn signal bulb, Left dip beam screen motor

- J426 - Left headlight starter for gas discharge light, on left headlight
- J519 - Onboard supply control unit
- L13 - Left gas discharge (xenon) bulb
- L22 - Left fog light bulb
- L148 - Left cornering light bulb
- L174 - Left daytime running light bulb
- M1 - Left side light bulb
- M5 - Front left turn signal bulb
- T2bc - 2-pin connector
- T2ca - 2-pin connector
- T4as - 4-pin connector
- T4az - 4-pin connector
- T14e - 14-pin connector, on left headlight
- T16j - 16-pin connector, on left under dash panel
- T52a - 52-pin connector
- T52c - 52-pin connector
- V294 - Left dip beam screen motor
- 119 - Earth connection 1, in headlight wiring harness
- 376 - Earth connection 11, in main wiring harness
- 392 - Earth connection 27, in main wiring harness
- 655 - Earth point, on left headlight
- A6 - Positive connection (left turn signal), in dash panel wiring harness
- B144 - Positive connection (58L), in interior wiring harness
- C69 - Front left connection (fog light), in main wiring harness
- * - From November 2009
- *2 - Only models with daytime running lights
- *3 - Only models with fog lights

Golf

Current Flow Diagram

No. 59 / 4



Left swivel module position sensor, Onboard supply control unit, Output module for left headlight, Left headlight range control motor, Left dynamic cornering light control motor

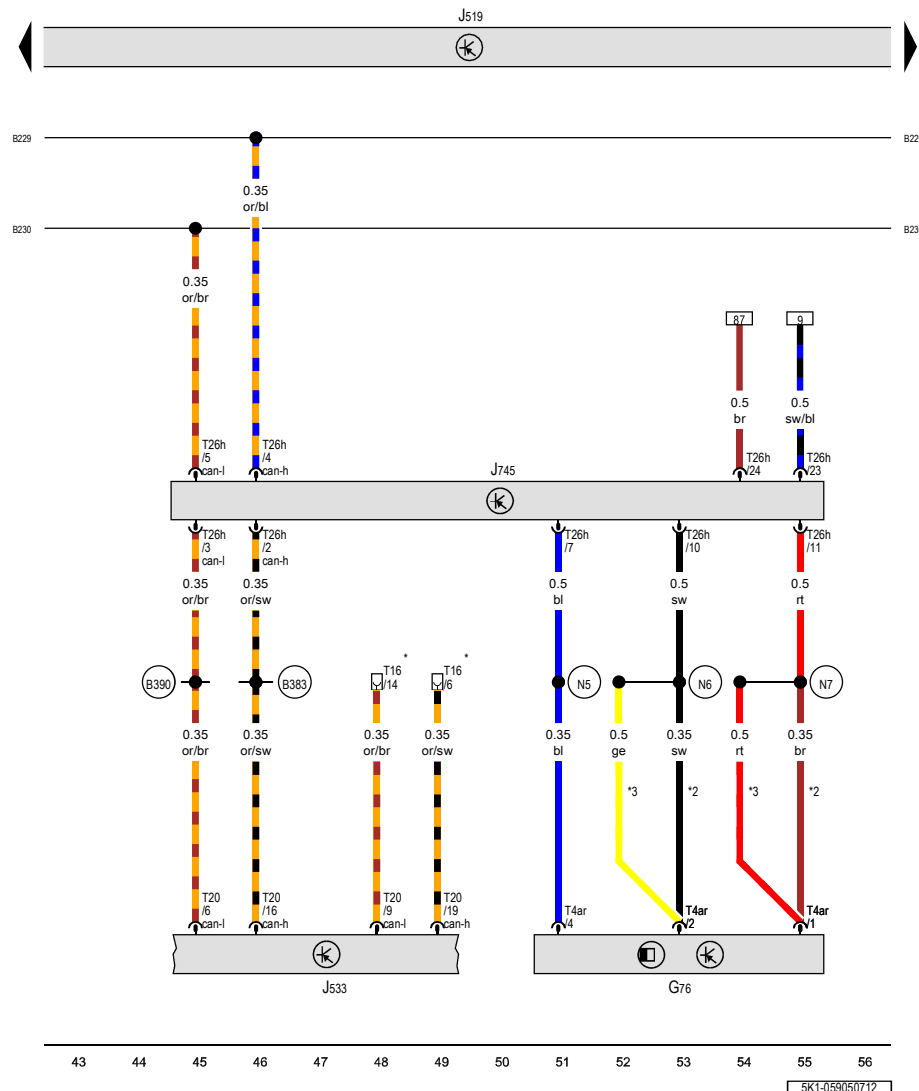
- G474 - Left swivel module position sensor
- J519 - Onboard supply control unit
- J667 - Output module for left headlight, on left headlight
- T5o - 5-pin connector
- T14e - 14-pin connector, on left headlight
- T16j - 16-pin connector, on left under dash panel
- T24a - 24-pin connector
- V48 - Left headlight range control motor
- V318 - Left dynamic cornering light control motor
- B229 - Connection (high bus), in interior wiring harness
- B230 - Connection (low bus), in interior wiring harness

ws = white
 sw = black
 ro = red
 rt = red
 br = brown
 gn = green
 bl = blue
 gr = grey
 li = purple
 vi = purple
 ge = yellow
 or = orange
 rs = pink

Golf

Current Flow Diagram

No. 59 / 5



Rear left vehicle level sender, Onboard supply control unit, Data bus diagnostic interface, Control unit for cornering light and headlight range control

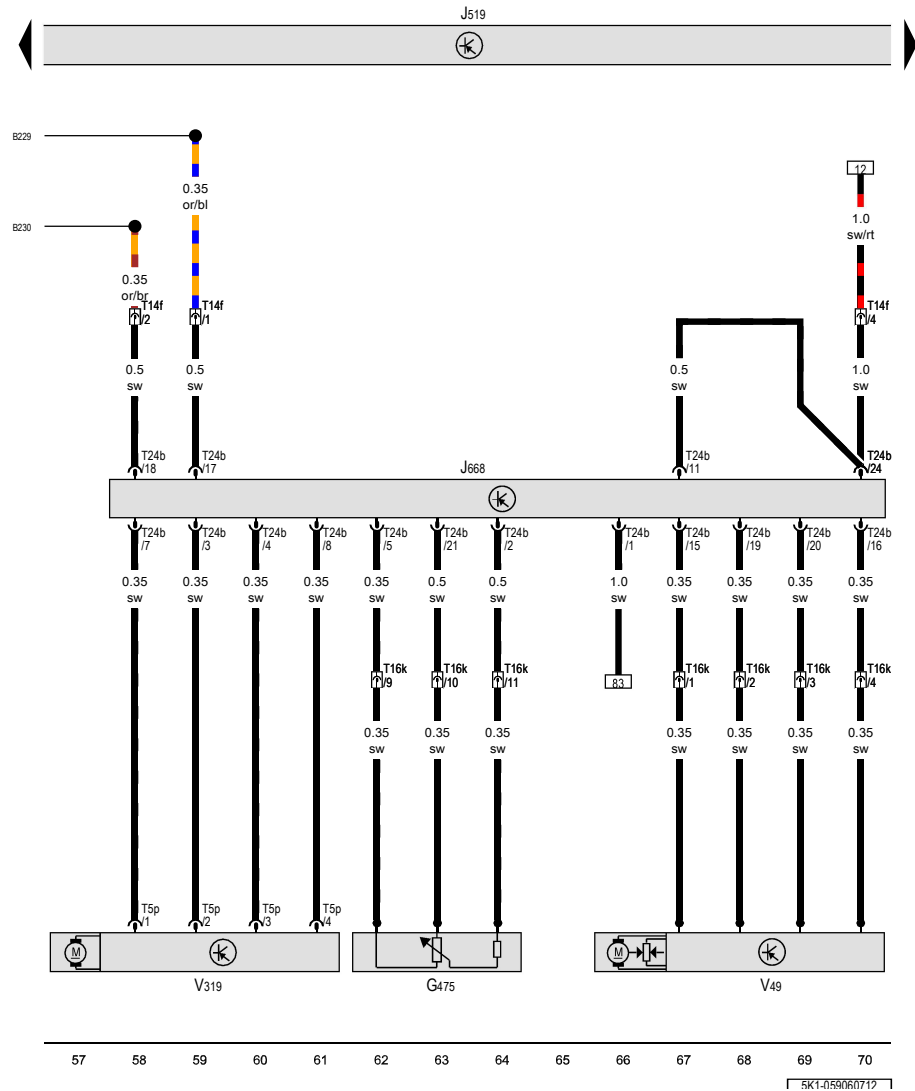
- G76 - Rear left vehicle level sender
- J519 - Onboard supply control unit
- J533 - Data bus diagnostic interface, in left footwell, near centre console
- J745 - Control unit for cornering light and headlight range control, on right of glove compartment
- T4ar - 4-pin connector
- T16 - 16-pin connector, on left under dash panel
- T20 - 20-pin connector
- T26h - 26-pin connector
- B229 - Connection (high bus), in interior wiring harness
- B230 - Connection (low bus), in interior wiring harness
- B383 - Connection 1 (powertrain CAN bus, high), in main wiring harness
- B390 - Connection 1 (powertrain CAN bus, low), in main wiring harness
- N5 - Connection 4, in headlight range control wiring harness
- N6 - Connection 5, in headlight range control wiring harness
- N7 - Connection 6, in headlight range control wiring harness
- * - Diagnostic connection
- *2 - Only models with no all-wheel drive
- *3 - Only models with all-wheel drive

ws = white
 sw = black
 ro = red
 rt = red
 br = brown
 gn = green
 bl = blue
 gr = grey
 li = purple
 vi = purple
 ge = yellow
 or = orange
 rs = pink

Golf

Current Flow Diagram

No. 59 / 6



Right swivel module position sensor, Onboard supply control unit, Output module for right headlight, Right headlight range control motor, Right dynamic cornering light control motor

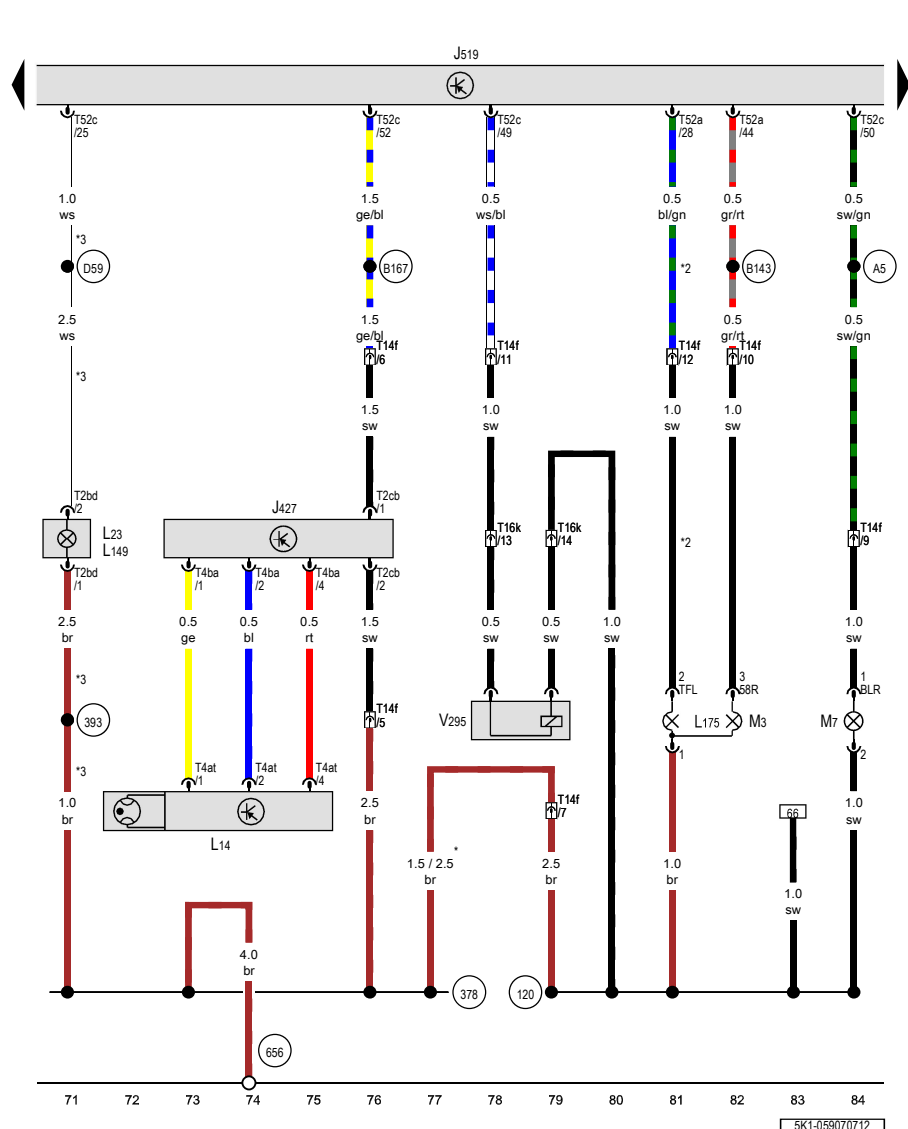
- G475 - Right swivel module position sensor
- J519 - Onboard supply control unit
- J668 - Output module for right headlight, on right headlight
- T5p - 5-pin connector
- T14f - 14-pin connector, on right headlight
- T16k - 16-pin connector, in right headlight, black
- T24b - 24-pin connector
- V49 - Right headlight range control motor
- V319 - Right dynamic cornering light control motor
- B229 - Connection (high bus), in interior wiring harness
- B230 - Connection (low bus), in interior wiring harness

- ws = white
- sw = black
- ro = red
- rt = red
- br = brown
- gn = green
- bl = blue
- gr = grey
- li = purple
- vi = purple
- ge = yellow
- or = orange
- rs = pink

Golf

Current Flow Diagram

No. 59 / 7



ws = white
 sw = black
 ro = red
 rt = red
 br = brown
 gn = green
 bl = blue
 gr = grey
 li = purple
 vi = purple
 ge = yellow
 or = orange
 rs = pink

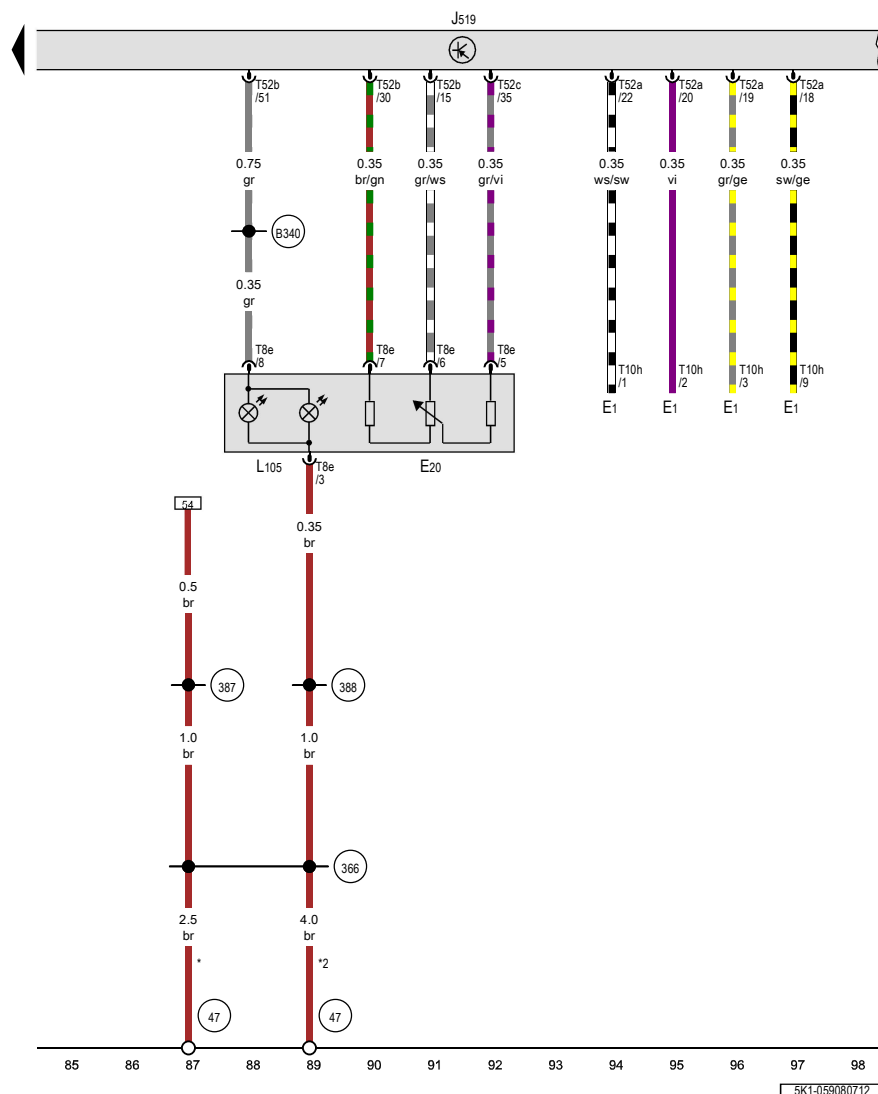
Right headlight starter for gas discharge light, Onboard supply control unit, Right gas discharge (xenon) bulb, Right fog light bulb, Right cornering light bulb, Right daytime running light bulb, Front right turn signal bulb, Right dip beam screen motor

- J427 - Right headlight starter for gas discharge light
- J519 - Onboard supply control unit
- L14 - Right gas discharge (xenon) bulb
- L23 - Right fog light bulb
- L149 - Right cornering light bulb
- L175 - Right daytime running light bulb
- M3 - Right side light bulb
- M7 - Front right turn signal bulb
- T2bd - 2-pin connector
- T2cb - 2-pin connector
- T4at - 4-pin connector
- T4ba - 4-pin connector
- T14f - 14-pin connector, on right headlight
- T16k - 16-pin connector, in right headlight, black
- T52a - 52-pin connector
- T52c - 52-pin connector
- V295 - Right dip beam screen motor
- 120 - Earth connection 2, in headlight wiring harness
- 378 - Earth connection 13, in main wiring harness
- 393 - Earth connection 28, in main wiring harness
- 656 - Earth point, on right headlight
- A5 - Positive connection (right turn signal), in dash panel wiring harness
- B143 - Positive connection (58R), in interior wiring harness
- B167 - Connection (56b), in interior wiring harness
- D59 - Connection (fog light), in engine compartment wiring harness
- * - From November 2009
- *2 - Only models with daytime running lights
- *3 - Only models with fog lights

Golf

Current Flow Diagram

No. 59 / 8



Switch and instrument illumination regulator, Onboard supply control unit

- E1 - Light switch
- E20 - Switch and instrument illumination regulator
- J519 - Onboard supply control unit
- L105 - Illumination regulator illumination bulb
- T8e - 8-pin connector
- T10h - 10-pin connector
- T52a - 52-pin connector
- T52b - 52-pin connector
- T52c - 52-pin connector
- 47 - Earth point, in front right footwell
- 366 - Earth connection 1, in main wiring harness
- 387 - Earth connection 22, in main wiring harness
- 388 - Earth connection 23, in main wiring harness
- B340 - Connection 1 (58d), in main wiring harness
- * - Only models with no start/stop system
- *2 - Only models with start/stop system

ws = white
 sw = black
 ro = red
 rt = red
 br = brown
 gn = green
 bl = blue
 gr = grey
 li = purple
 vi = purple
 ge = yellow
 or = orange
 rs = pink