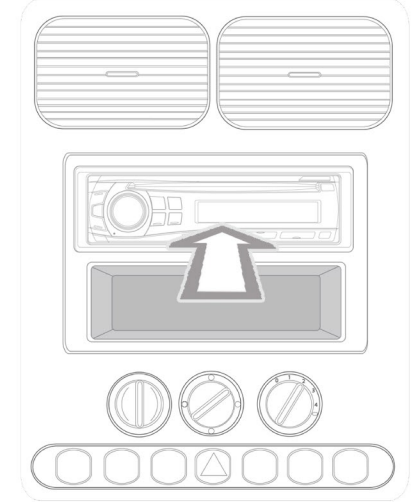
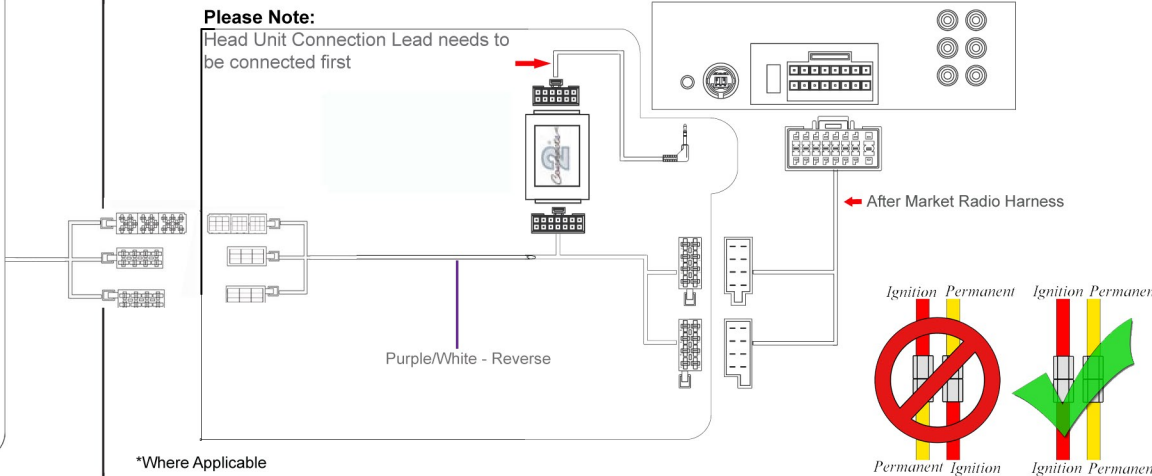
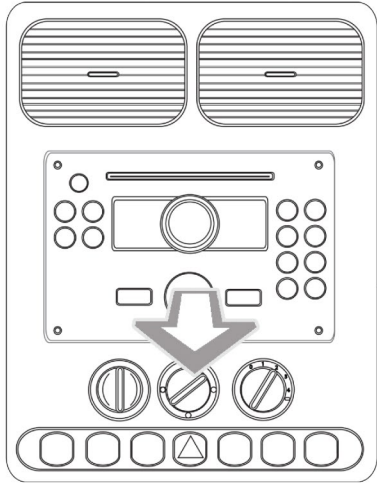


# Installation Guide

Part No: **CTSTY004.2**

Toyota Steering Wheel Control Interface



## Vehicle Compatibility:

Vehicles with 28 way steering wheel control connector and OEM JBL system.

Avensis	2011>
Corolla	2011>
Innova	2011>
RAV4	2011>
Rush	2011>
Verso	2011>
Yaris	2011>

## Steering Wheel Control Functions



\* Note All Dates are guide lines only as specifications of vehicles change